

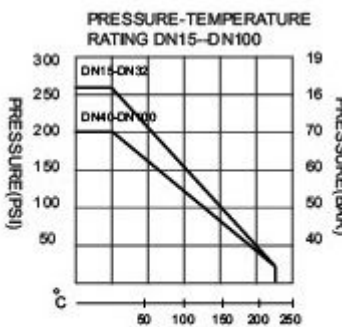
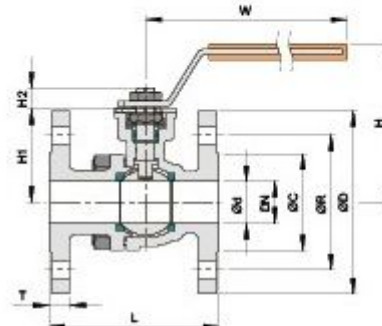
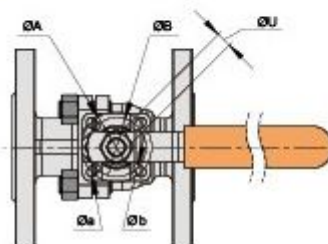
Ball Valve Full Port Flange End ISO-Direct Mounting Pad

2-pc Design



Features:

- Flange Standard: DIN2633/PN16
- Full Port
- Locking Device Handle Upon Request
- Blow-Out Proof Stem
- Blance Hole in Ball Slot
- Anti-Static Device
- Fire-Safe Design Upon Request
- ISO5211 Direct Mounting Pad Top Flange
- Testing Standard: API 598/SP-110



PRESSURE TESTING

STANDARD PRESSURE	1.6Mpa
SHELL PRESSURE TESTING	2.4Mpa
WATER SEAL TESTING	1.8Mpa
AIR SEAL TESTING	0.4~0.7Mpa

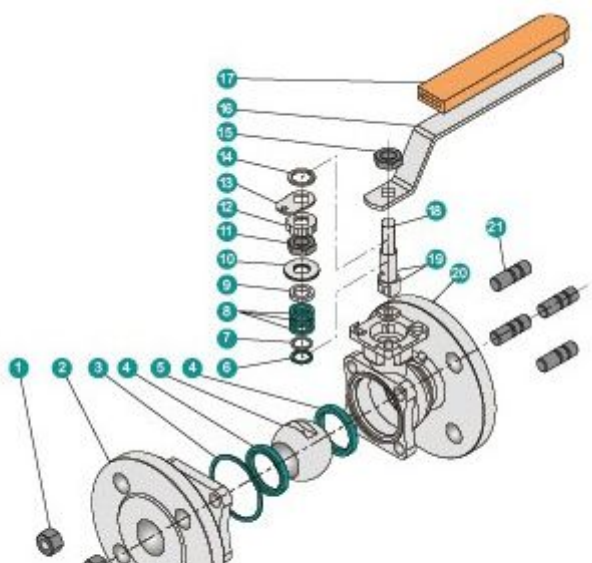
WR-380

PN16

DIMENSION

(unit: mm)

DN	Φd	L	H	H1	H2	W	ΦA	ΦB	Φa	Φb	ΦU	ΦC	ΦR	ΦD	TORQUE N.M	CV
15	15	115	69	49	8.5	125	42	36	6	5.5	9	45	65	95	5	3.4
20	20	120	75	54	8.5	125	42	36	6	5.5	9	58	75	105	7	7.1
25	25	125	87	60	11	155	50	42	7	6	11	68	85	115	8	12.4
32	32	130	99	72	11	155	50	42	7	6	11	78	100	140	15	20.3
40	38	140	116	80	14	195	70	50	9	7	14	88	110	150	22	28.5
50	50	150	124	88	15	195	70	50	9	7	14	102	125	165	25	47.5
65	65	170	140	102	18	260	102	70	11	9	17	122	145	185	49	76
80	80	180	153	116	18	260	102	70	11	9	17	138	160	200	83	108.4
100	100	190	175	134	19	300	102	70	11	9	19	158	180	220	115	198



MATERIAL LIST		
ITEM	PART NAME	MATERIAL
1	NUT	SUS304
2	CAP	CF8M CF8
3	CAP GASKET	PTFE R-PTFE
4	BALL SEAT	PTFE R-PTFE
5	BALL	SUS316 SUS304
6	THRUST WASHER	PTFE R-PTFE
7	O-RING	VITON
8	STEM PACKING	PTFE
9	GLAND	SUS304
10	BELLEVILLE WASHER	SUS304
11	STOP NUT	SUS304
12	NUT CAP	SUS304
13	LOCKING PIN	SUS304
14	WASHER	SUS304
15	STEM NUT	SUS304
16	HANDLE	SUS304
17	HANDLE COVER	PLASTIC
18	STEM	SUS316 SUS304
19	ANTI-STATIC	SUS304
	BODY	CF8M CF8
	BOLT	SUS304



ALPHA ENGENHARIA - Equipamentos e Soluções Industriais
 Rua D. António Meireles, n.º 93 | 4250-055 Porto
 Tel. 220 136 963 | Tlm: 933 694 486
 info@alphaengenharia.pt | www.alphaengenharia.pt