

## STANDARD PRESSURE GAUGES DN 40, 50 & 63

Usable with liquid or gaseous fluids that do not attack chemically the alloys of copper, do not present a high stickiness and do not crystallize.

Their preferable application is in pneumatic and hydraulic circuits, compressors, filters and pressure regulators. They fulfil norm CE.

### Constructive and functional characteristics:

#### **Accuracy:**

Ø40 Type 2,5 according to EN 837-1.

Ø50 & Ø63 Type 1,6 according to EN 837-1.

**Ranges:** -1..0 to 0..40 bar for DN 40 and DN 50, -1..0 to 0..400 bar for DN 63 or any other equivalent unit of pressure or vacuum, standard ranges according to DIN 16 128.

**Ambient temperature:** -20...+60°C.

**Process fluid temperature:** Max. +60°C.

#### **Temperature error:**

Additional error when the temperature of the pressure element deviates from 20°C. +/-0,3% every 10 °C of change.

**Working pressure:** Max 75% of E.S.

**Temporary overpressure:** Not applicable.

**Process connection Racord:** In brass.

**Elastic element:** Phosphoric bronze. In "C" for ≥ 40 bar scales. In spiral for >40 bar scales.

**Case:** In ABS plastic.

**Window:** Clear plastic.

**Movement:** In brass.

**Pointer:** Painted black aluminium.

#### **Optional extras:**

Tin-silver welding.

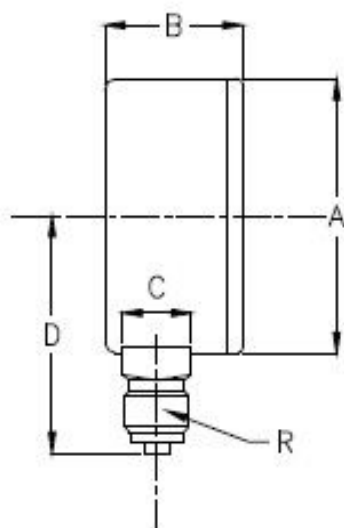
Glass window.

Others accuracy ranges.



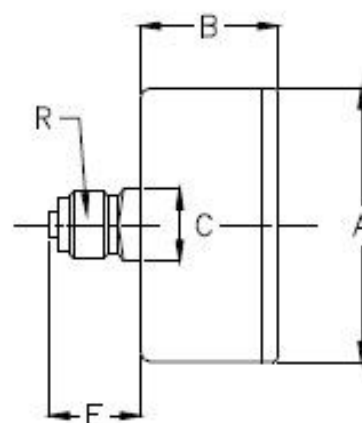
This publication does not try to establish the bases of a contract and the company keeps the right to modify without previous notice the design and the specifications of the instruments, in accordance with his politics of continued development.

## DIMENSIONS



LOWER CONNECTION TYPE					
DN	A	B	C	D	R
40	42	25	11x11	27,5	1/8"
50	53	28	14x14	48	1/4"
63	63,5	28	14x14	51	1/4"

DIMENSIONS  
(mm)



BACK CONNECTION TYPE					
DN	A	B	C	E	R
40	42	25	11x11	14	1/8"
50	53	28	14x14	19	1/4"
63	63,5	28	14x14	19	1/4"

This publication does not try to establish the bases of a contract and the company keeps the right to modify without previous notice the design and the specifications of the instruments, in accordance with his politics of continued development.