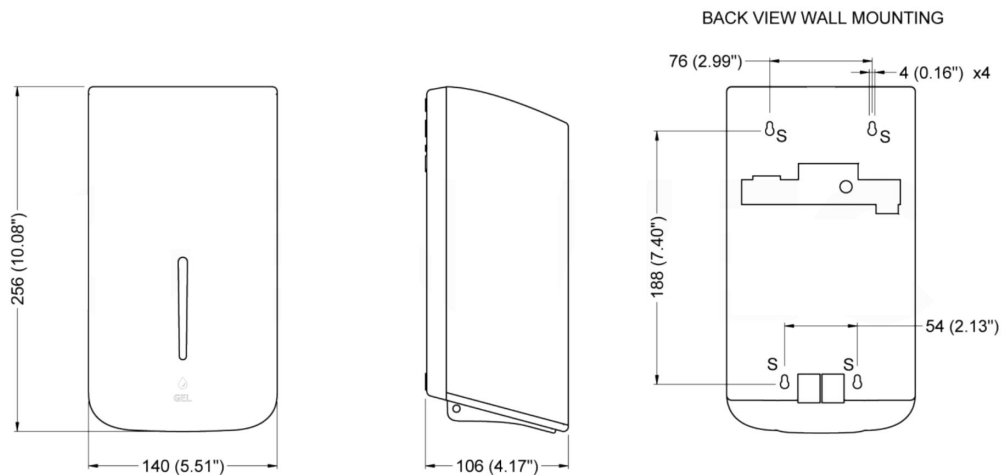




Automatic hand sanitizer gel dispenser



Dimensions: ±3%

TECHNICAL DATASHEET

COMPONENTS AND MATERIALS

- Main body - Made of high strength ABS plastic. The unit is equipped with a central acrylic level sight glass. The capacity of the unit is 1,100ml.
- Valve - Equipped with automatic sensor, "touchless" system. Designed and tested to prevent soap dripping. Corrosion resistant ABS internal valve.
- Fixing kit: A key to open the cover, four 6mm wall plugs, four 4mm screws.

OPERATION

To fill the dispenser, open the lid and introduce the gel disinfectant directly. Each time the refilling process is done, repeatedly press the inner bottle button so that the disinfectant flows to the valve. Place your hand under the sensor for a dosage of 1ml. If the hands are not removed, the dispenser will stop automatically after 10 dosages. The display indicates when it is necessary to refill the dispenser. The dispenser works with 4 AA -LR4 1.5 batteries with a lifetime of approx. 60,000 cycles.

MOUNTING

Fix the dispenser to the wall using the supplied screws, through the holes on the back, always follow step by step the assembly instructions that you will find in the "Installation and assembly manual" provided with the unit.

ARCHITECTURAL SPECIFICATION

Automatic hand sanitizer gel dispenser

made of high resistance ABS. It must be able to contain 1,100ml and dispense 1ml of gel per dosage. The unit must be vandal-proof, requiring a key to open its cover. It must be equipped with an automatic sensor to avoid physical contact, "touchless" system. The valve must be specially designed for use with hydroalcoholic gels (*). The dispenser has a 2-year limited manufacturer's warranty on materials

(*) The use of hydroalcoholic gels with the following characteristics is recommended:

- Alcohol <80%
- Density: 0.9-1.35 kg/dm³
- Viscosity <2,500 Cp